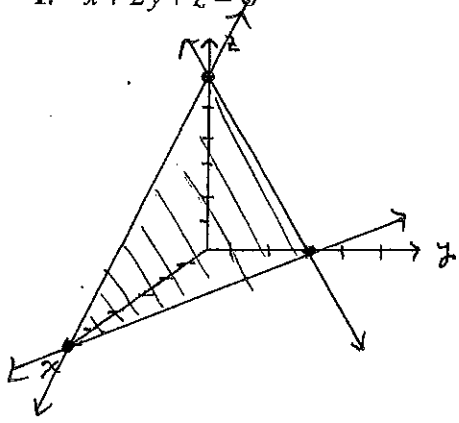
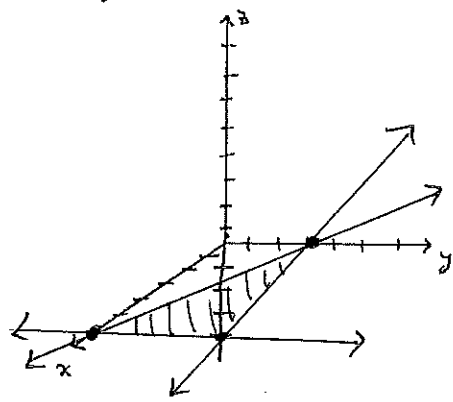


Graph. Label the intercepts.

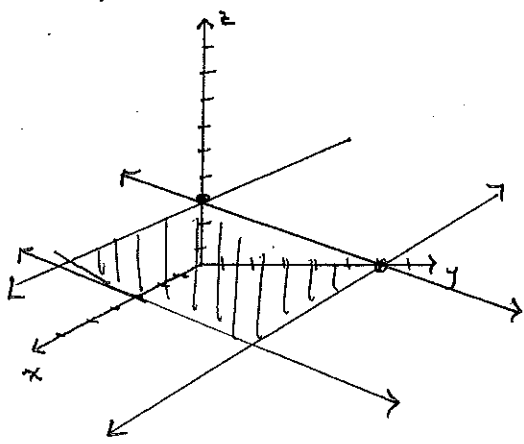
1. $x+2y+z=6$



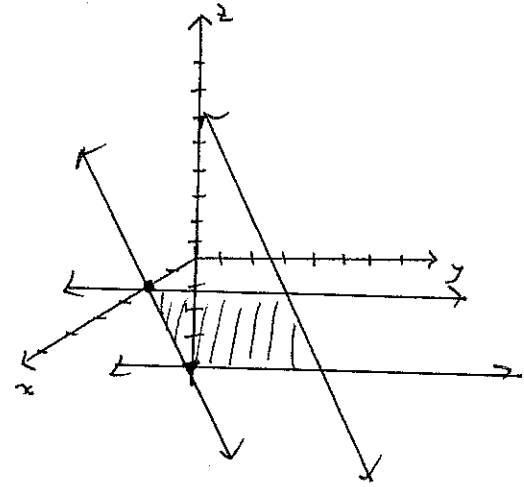
2. $2x+4y-3z=12$



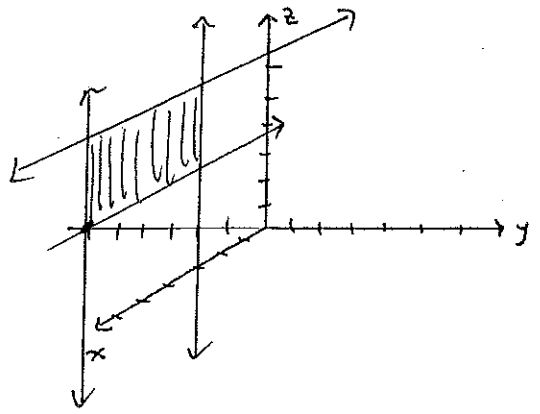
3. $y+2z=6$



4. $6x-3z=12$



5. $y=-6$



6. $4z=12$

