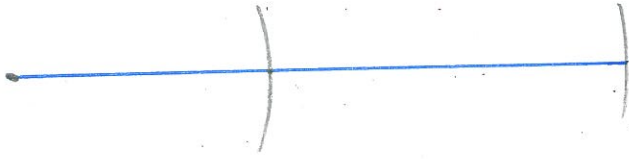
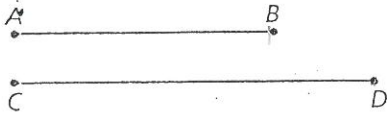


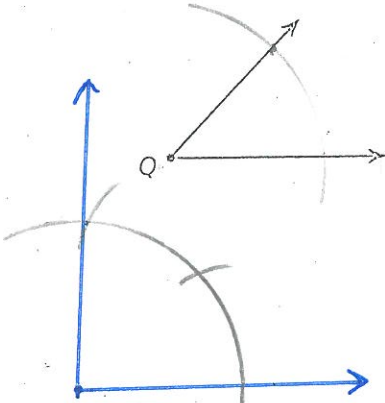
Constructions #2

Constructor: Brown

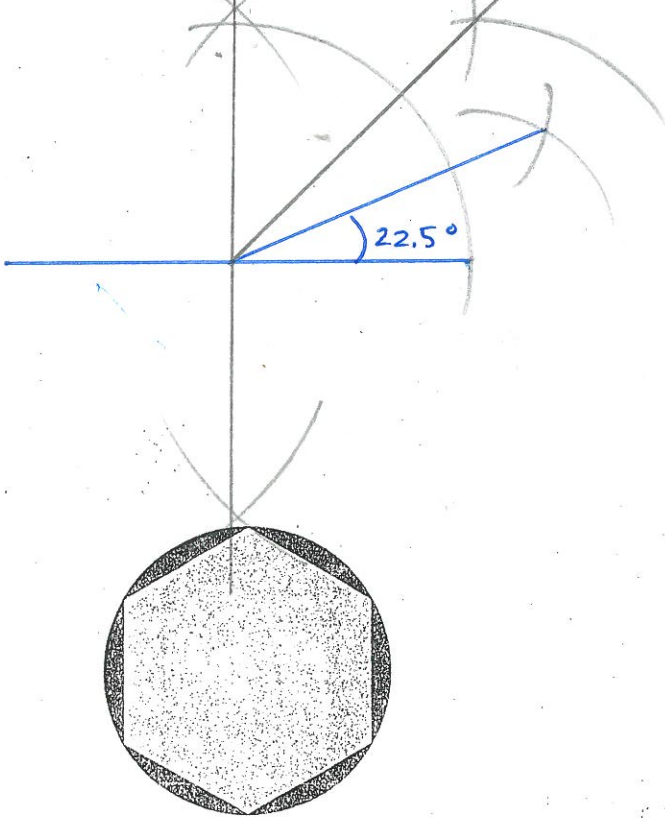
1. Construct a segment whose length is equal to the sum of the lengths of \overline{AB} and \overline{CD} .



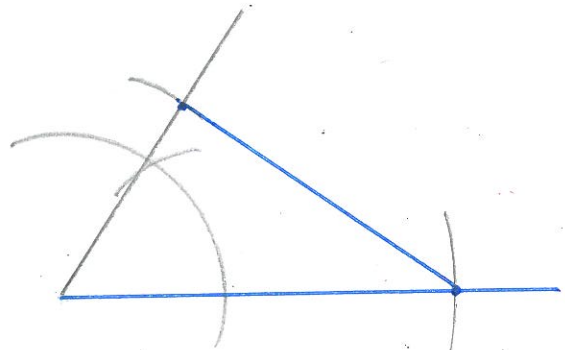
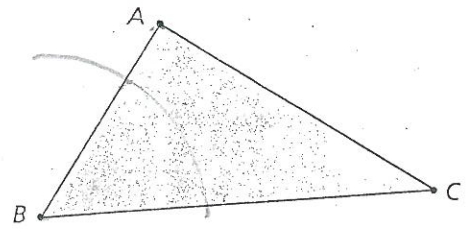
3. Construct an angle whose measure is twice the measure of $\angle Q$.



5. Construct a 22.5° angle.



6. Construct a copy of triangle ABC.



Use the construction directions at left to create a hexagon inscribed in a circle.

